

Instructions for header setting on Feb2 board.

(board V1.1)

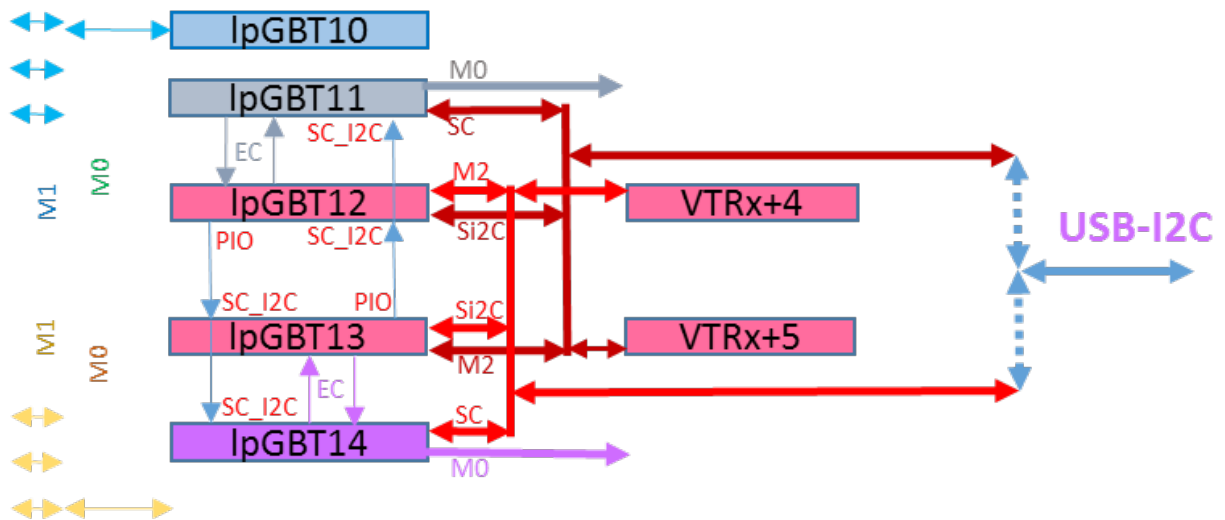
I2C interface active for LpGBT12	Header	H25	On
Serial interace active for LpGBT12	Header	H25	Off
I2C interface active for LpGBT13	Header	H24	On
Serial interace active for LpGBT13	Header	H24	Off

M2 IpGBT12 I2C bus replaced with USB dongle bus: headers H40&H41 on H15&16 off (this is when you want to talk to LpGBT13).

M2 IpGBT13 I2C bus replaced with USB dongle bus: headers H40&H41 off H15&16 on (this is when you want to talk to LpGBT13).

In case of debugging the I2C many problems of IpGBT one may want to isolate the I2C busses. To isolate (completely disconnect the i2C bus) M2 IpGBT12 I2c bus pins set H20&H21=off.

To isolate (completely disconnect the i2C bus) M2 IpGBT13 I2c bus pins set H22&H23=off.



Manual reset of IpGBT14-24: headers H12&13 on and press the reset button

Manual reset of IpGBT1-13 : headers H11&14 on and press the reset button

