



6

5

4

3

2

1

REVISION RECORD			
LTR	ECO NO.	APPROVED:	DATE:

D

D

C

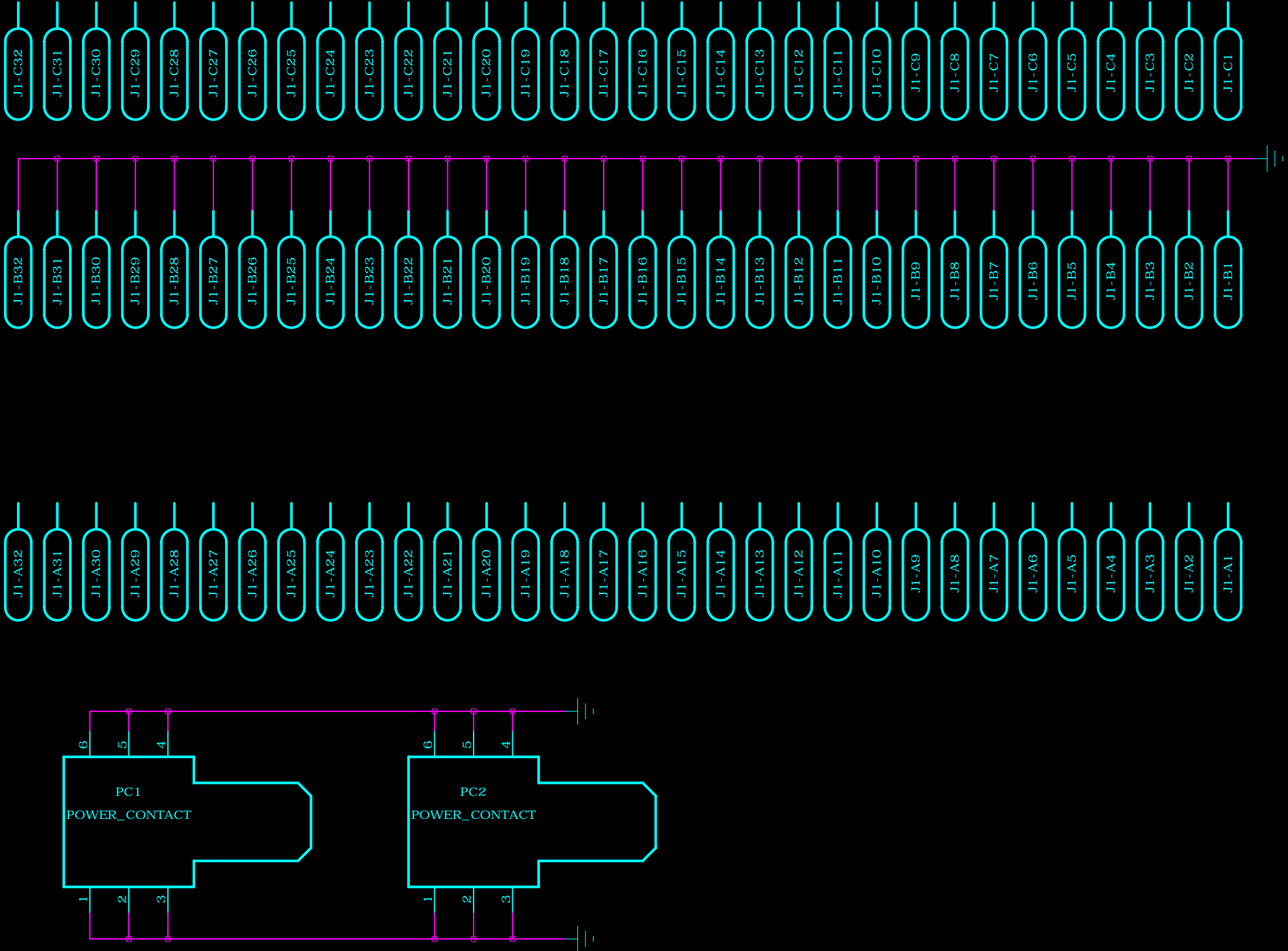
C

B

B

A

A



DRAWN:	jb	DATED:	jan 2020
CHECKED:	jb	DATED:	< Checked Date >
QUALITY CONTROL:	< QC By >	DATED:	< QC Date >
RELEASED:	jb	DATED:	< Release Date >

COMPANY:			
Nevis Laboratories of Columbia University			
TITLE:			
FEB2_slice board			
CODE:	SIZE:	DRAWING NO:	REV:
< Code >	C	v0	0
SCALE: < Scale >			SHEET: 20 of 32

6

5

4

3

2

1

REVISION RECORD			
LTR	ECO NO.	APPROVED:	DATE:

D

D

C

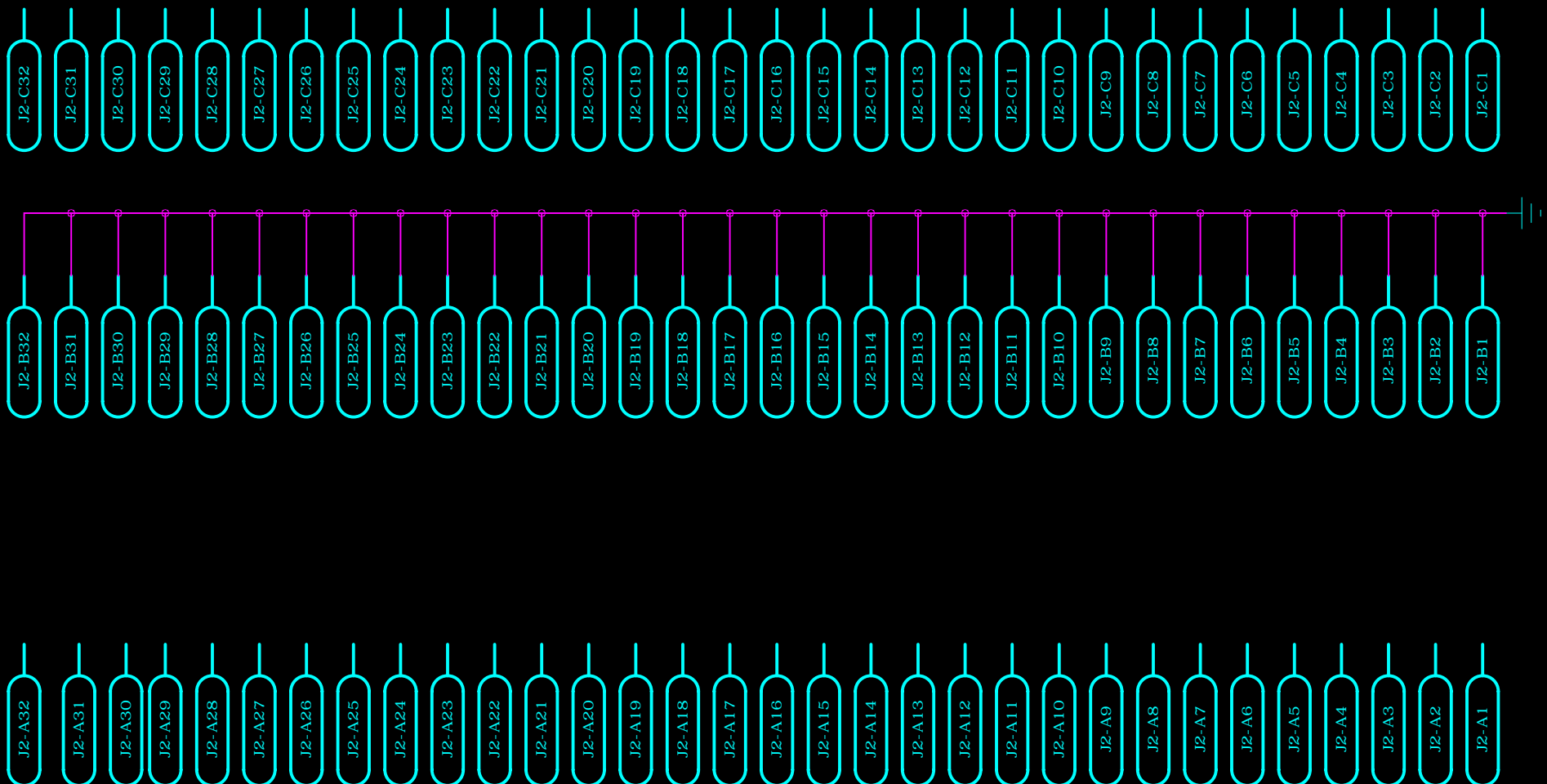
C

B

B

A

A



DRAWN:	jb	DATED:	jan 2020
CHECKED:	jb	DATED:	< Checked Date >
QUALITY CONTROL:	< QC By >	DATED:	< QC Date >
RELEASED:	jb	DATED:	< Release Date >

COMPANY: Nevis Laboratories of Columbia University			
TITLE: FEB2_slice board			
CODE:	SIZE:	DRAWING NO:	REV:
< Code >	C	v0	0
SCALE: < Scale >			SHEET: 0f 32

6

5

4

3

2

1

REVISION RECORD			
LTR	ECO NO.	APPROVED:	DATE:

D

D

C

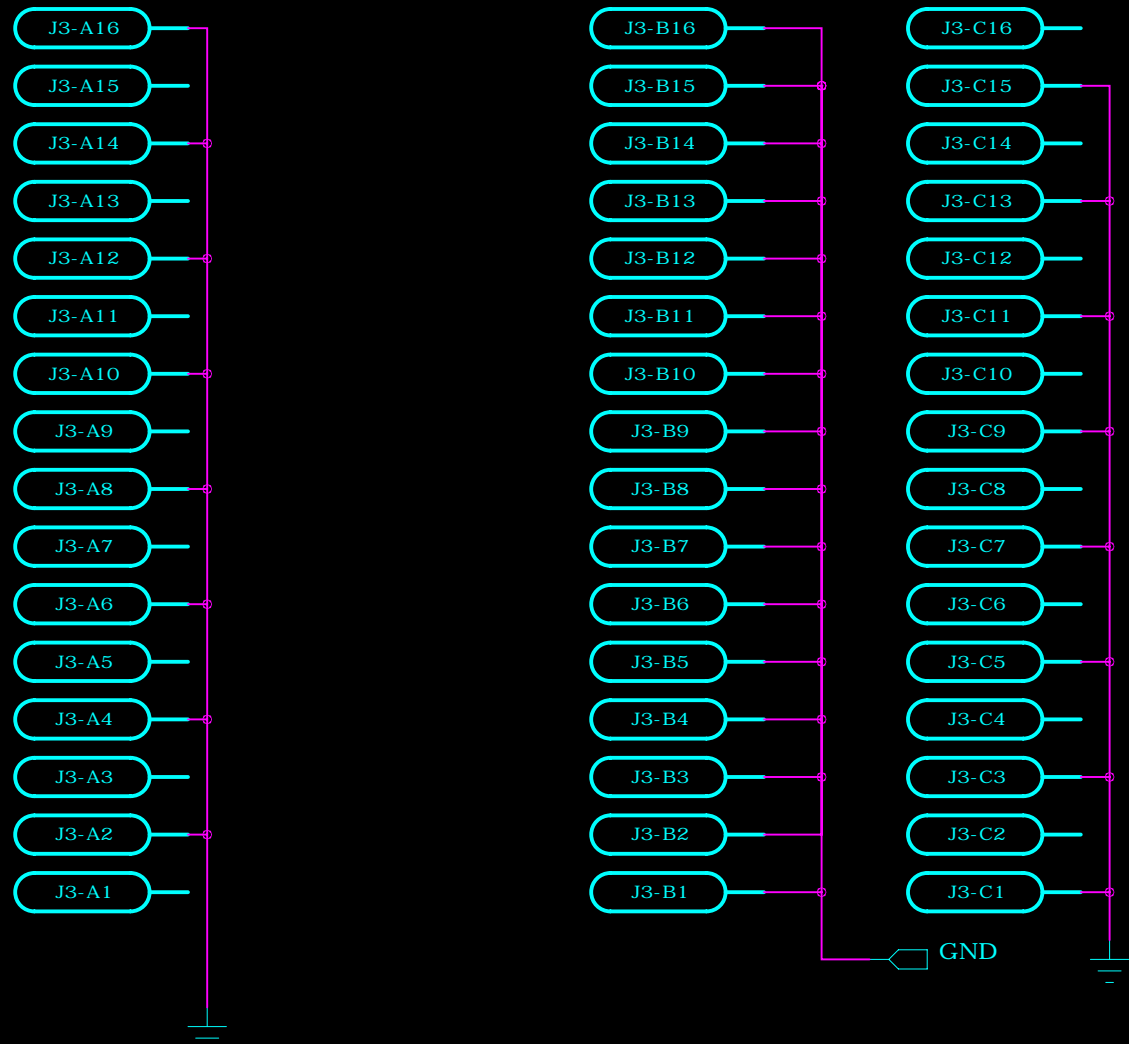
C

B

B

A

A



COMPANY: <b>Nevis Laboratories of Columbia University</b>			
TITLE: <b>FEB2_slice board</b>			
DRAWN: <b>jb</b>	DATED: <b>jan 2020</b>	CODE: <b>&lt; Code &gt;</b>	SIZE: <b>C</b>
CHECKED: <b>jb</b>	DATED: <b>&lt; Checked Date &gt;</b>	DRAWING NO: <b>v0</b>	REV: <b>0</b>
QUALITY CONTROL: <b>&lt; QC By &gt;</b>	DATED: <b>&lt; QC Date &gt;</b>	SCALE: <b>&lt; Scale &gt;</b>	
RELEASED: <b>jb</b>	DATED: <b>&lt; Release Date &gt;</b>	SHEET: <b>4</b> of <b>32</b>	

6

5

4

3

2

1

REVISION RECORD			
LTR	ECO NO.	APPROVED:	DATE:

D

D

C

C

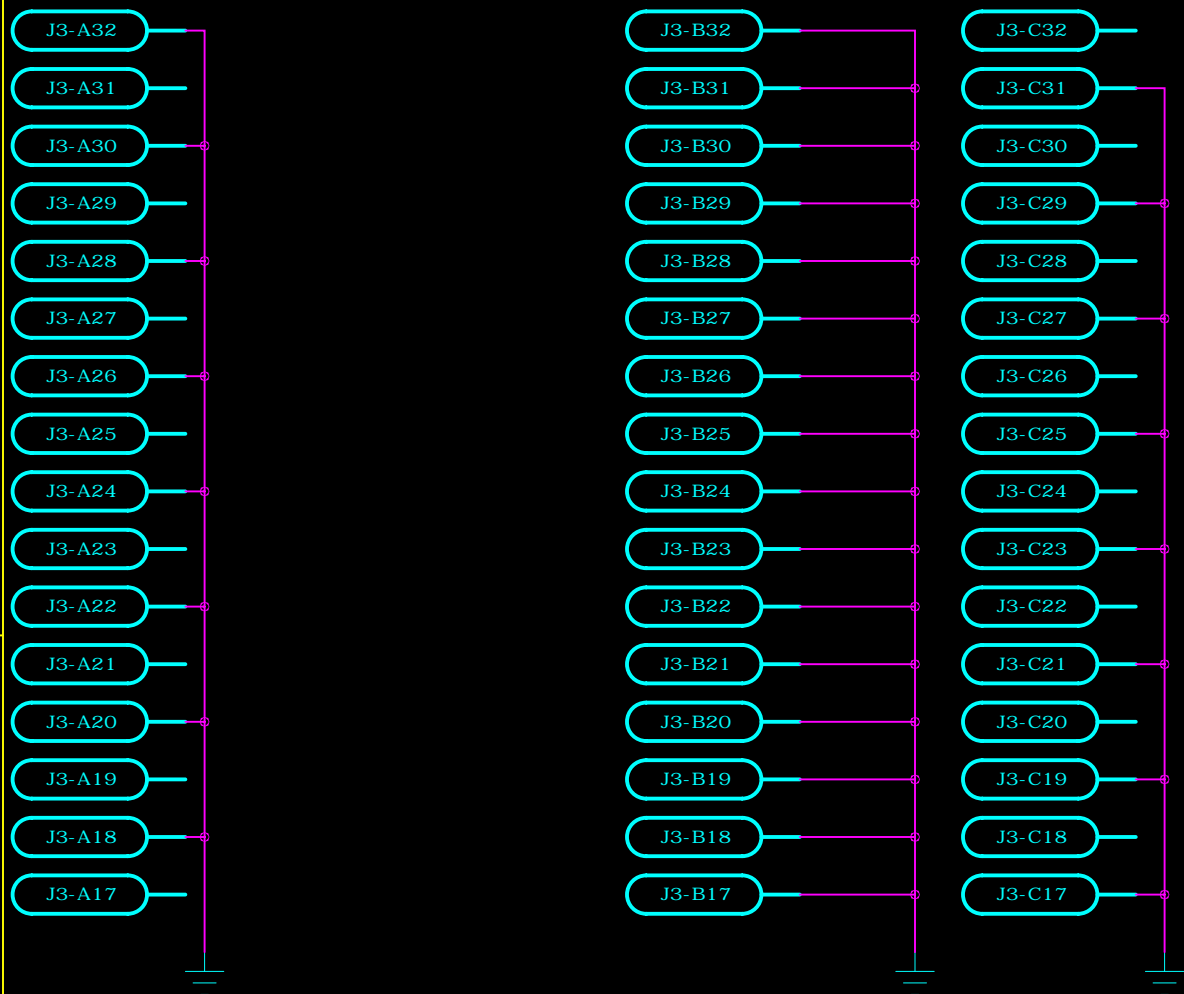
Top view

B

B

A

A



COMPANY: Nevis Laboratories of Columbia University

TITLE: FEB2\_slice board

DRAWN:	jb	DATED:	jan 2020
CHECKED:	jb	DATED:	< Checked Date >
QUALITY CONTROL:	< QC By >	DATED:	< QC Date >
RELEASED:	jb	DATED:	< Release Date >

CODE:	SIZE:	DRAWING NO:	REV:
< Code >	C	v0	0
SCALE: < Scale >			SHEET: 5 of 32

6

5

4

3

2

1

REVISION RECORD			
LTR	ECO NO.	APPROVED:	DATE:

D

D

C

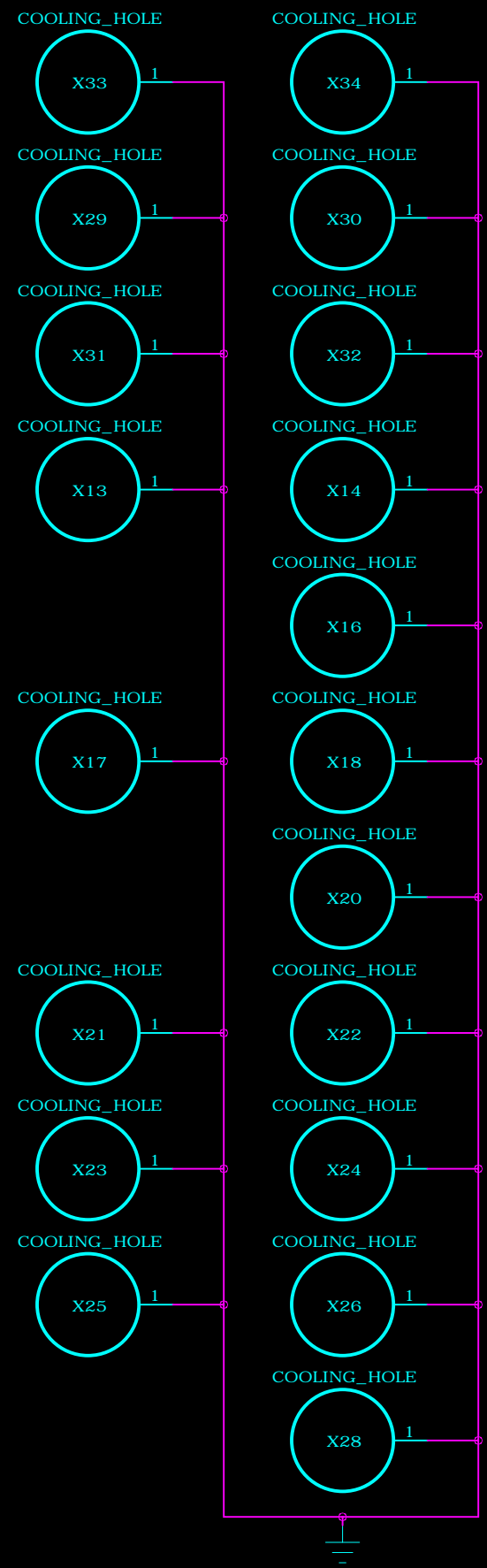
C

B

B

A

A



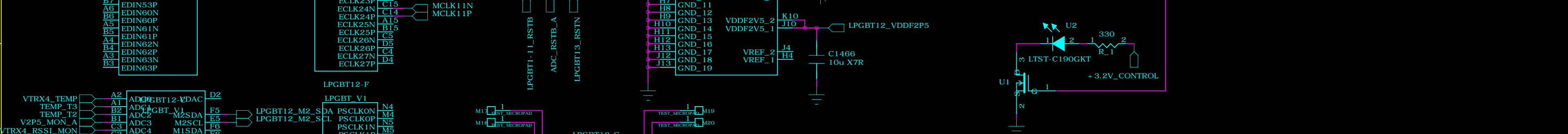
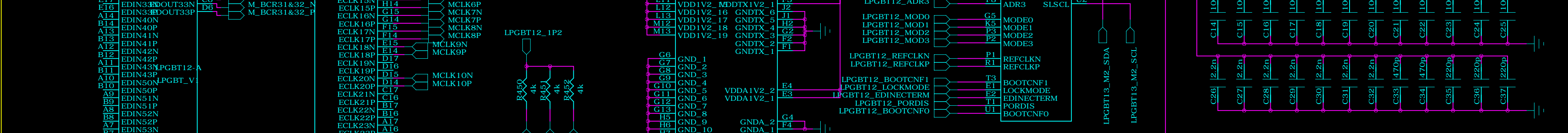
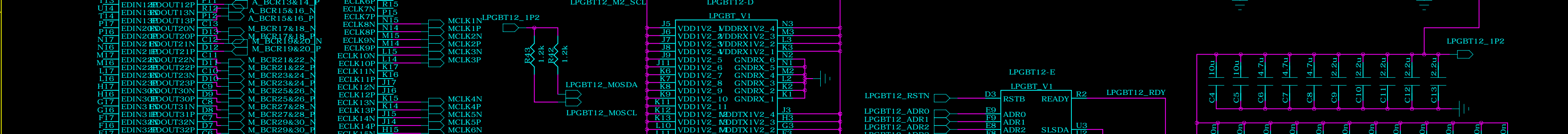
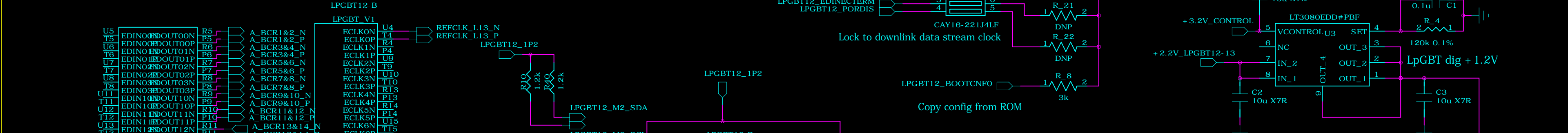
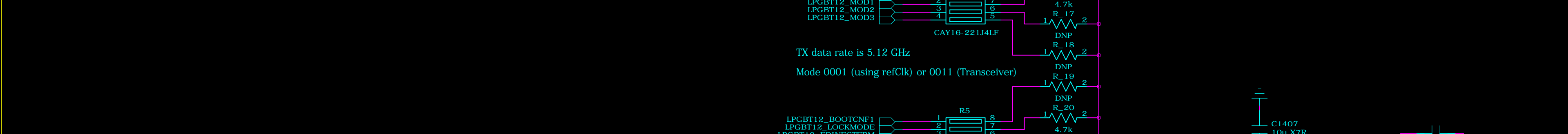
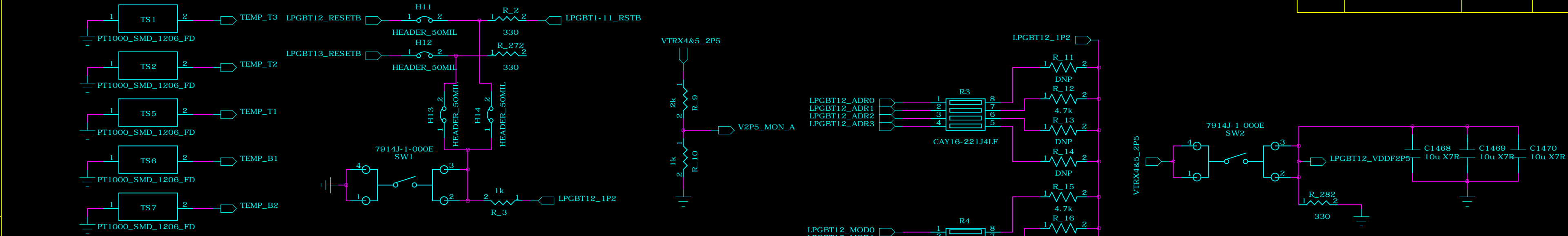
COMPANY: **Nevis Laboratories of Columbia University**

TITLE: **FEB2\_slice board**

DRAWN: <b>jb</b>	DATED: <b>jan 2020</b>
CHECKED: <b>jb</b>	DATED: <b>&lt; Checked Date &gt;</b>
QUALITY CONTROL: <b>&lt; QC By &gt;</b>	DATED: <b>&lt; QC Date &gt;</b>
RELEASED: <b>jb</b>	DATED: <b>&lt; Release Date &gt;</b>

CODE: <b>&lt; Code &gt;</b>	SIZE: <b>C</b>	DRAWING NO: <b>v0</b>	REV: <b>0</b>
SCALE: <b>&lt; Scale &gt;</b>			SHEET: <b>0</b> OF <b>32</b>

REVISION RECORD			
LTR	ECO NO.	APPROVED:	DATE:



COMPANY: **Nevis Laboratories of Columbia University**

TITLE: **FEB2\_slice board**

DRAWN: **jb** DATED: **jan 2020**

CHECKED: **jb** DATED: **< Checked Date >**

QUALITY CONTROL: **< QC By >** DATED: **< QC Date >**

RELEASED: **jb** DATED: **< Release Date >**

CODE: <b>&lt; Code &gt;</b>	SIZE: <b>C</b>	DRAWING NO: <b>v0</b>	REV: <b>0</b>
SCALE: <b>&lt; Scale &gt;</b>		SHEET: <b>7</b> of <b>32</b>	

REVISION RECORD			
LTR	ECO NO.	APPROVED:	DATE:

D

D

C

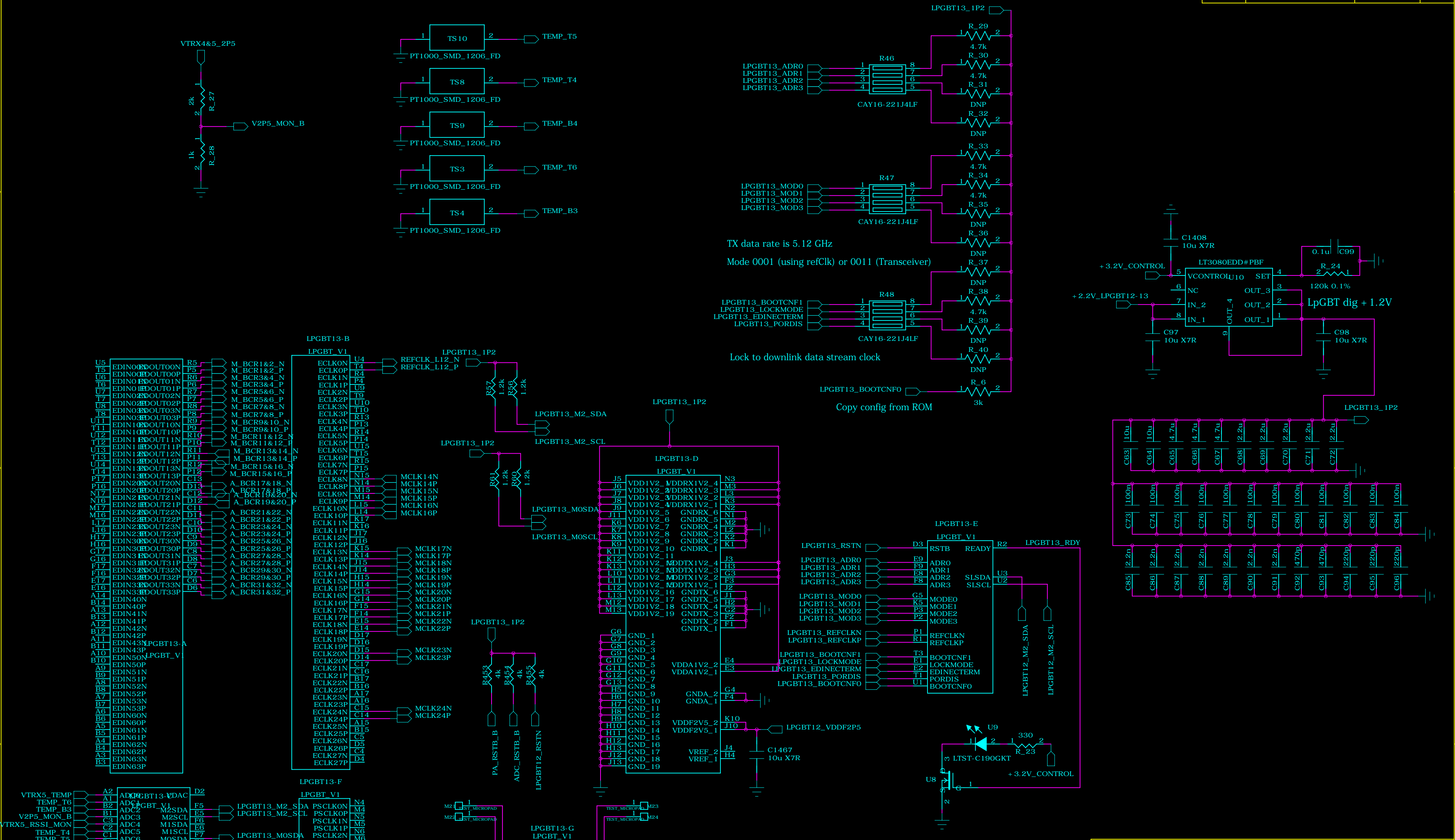
C

B

B

A

A



COMPANY: **Nevis Laboratories of Columbia University**

TITLE: **FEB2\_slice board**

DRAWN: <b>jb</b>	DATED: <b>Jan 2020</b>	CODE: <b>&lt; Code &gt;</b>	SIZE: <b>C</b>	DRAWING NO: <b>v0</b>	REV: <b>0</b>
CHECKED: <b>jb</b>	DATED: <b>&lt; Checked Date &gt;</b>	SCALE: <b>&lt; Scale &gt;</b>	SHEET: <b>8</b> OF <b>32</b>		
QUALITY CONTROL: <b>&lt; QC By &gt;</b>	DATED: <b>&lt; QC Date &gt;</b>				
RELEASED: <b>jb</b>	DATED: <b>&lt; Release Date &gt;</b>				



6

5

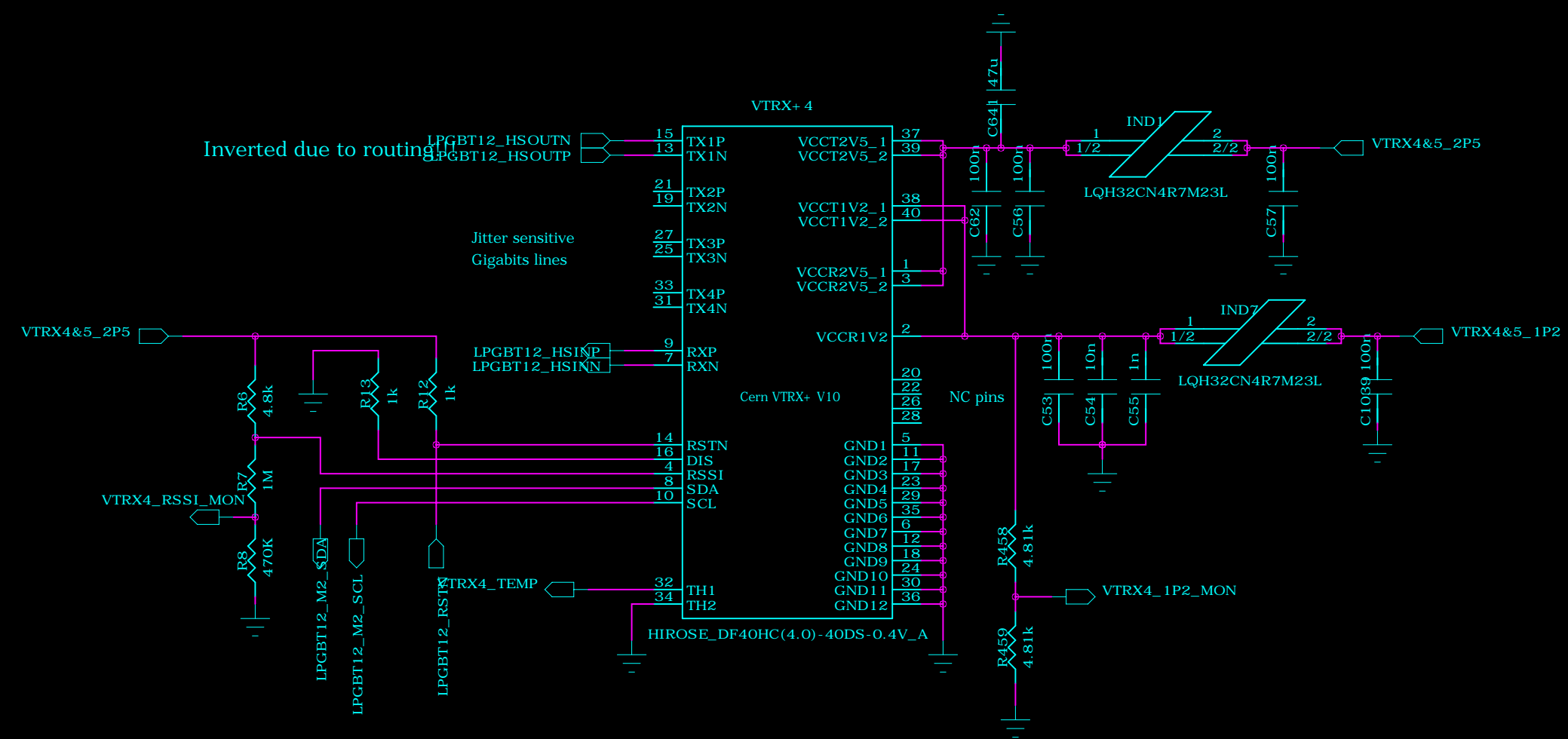
4

3

2

1

REVISION RECORD			
LTR	ECO NO.	APPROVED:	DATE:



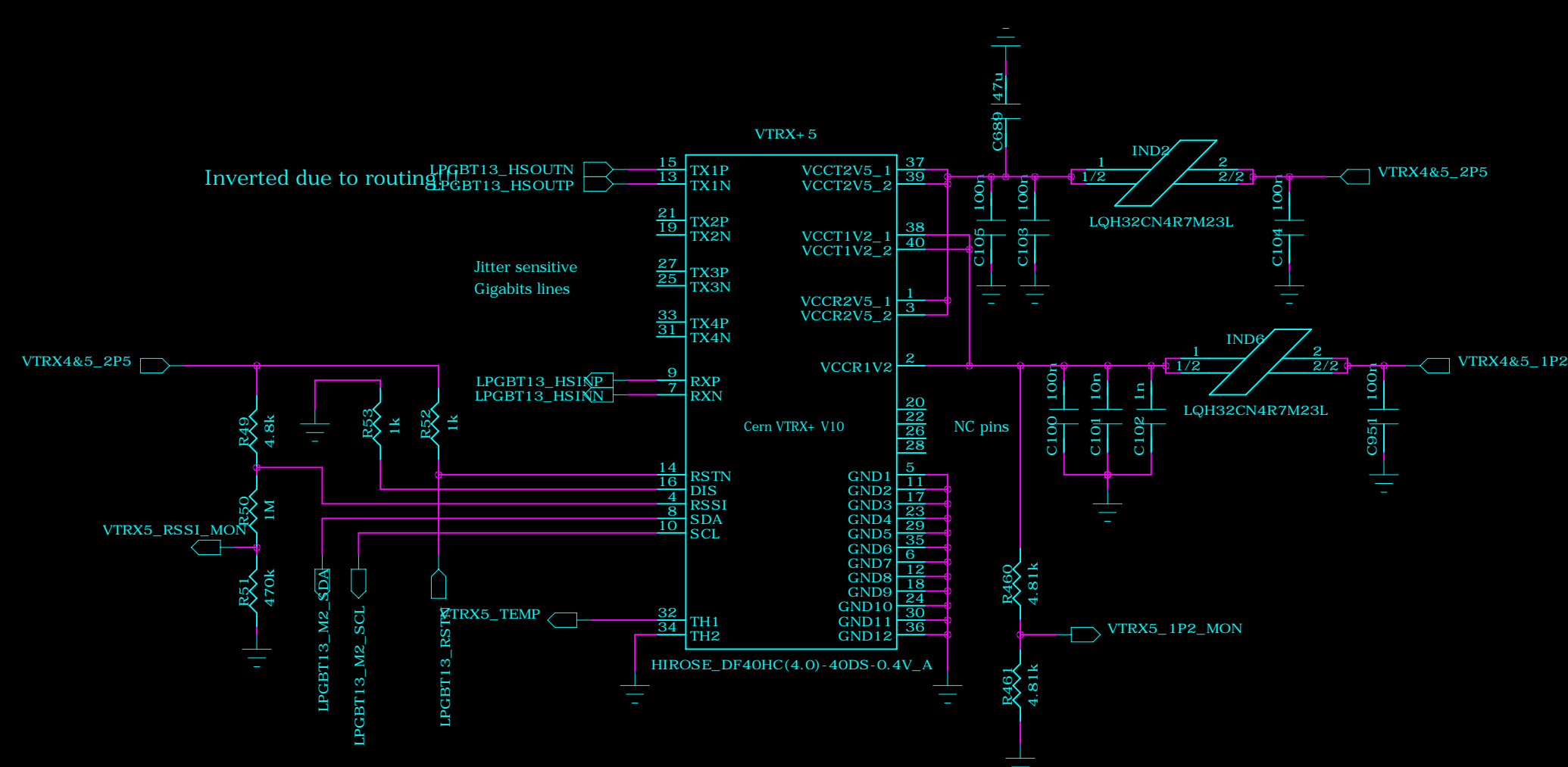
COMPANY: **Nevis Laboratories of Columbia University**

TITLE: **FEB2\_slice board**

DRAWN:	jb	DATED:	jan 2020
CHECKED:	jb	DATED:	< Checked Date >
QUALITY CONTROL:	< QC By >	DATED:	< QC Date >
RELEASED:	jb	DATED:	< Release Date >

CODE:	SIZE:	DRAWING NO:	REV:
< Code >	C	v0	0
SCALE: < Scale >			SHEET: 32 of 32

REVISION RECORD			
LTR	ECO NO.	APPROVED:	DATE:



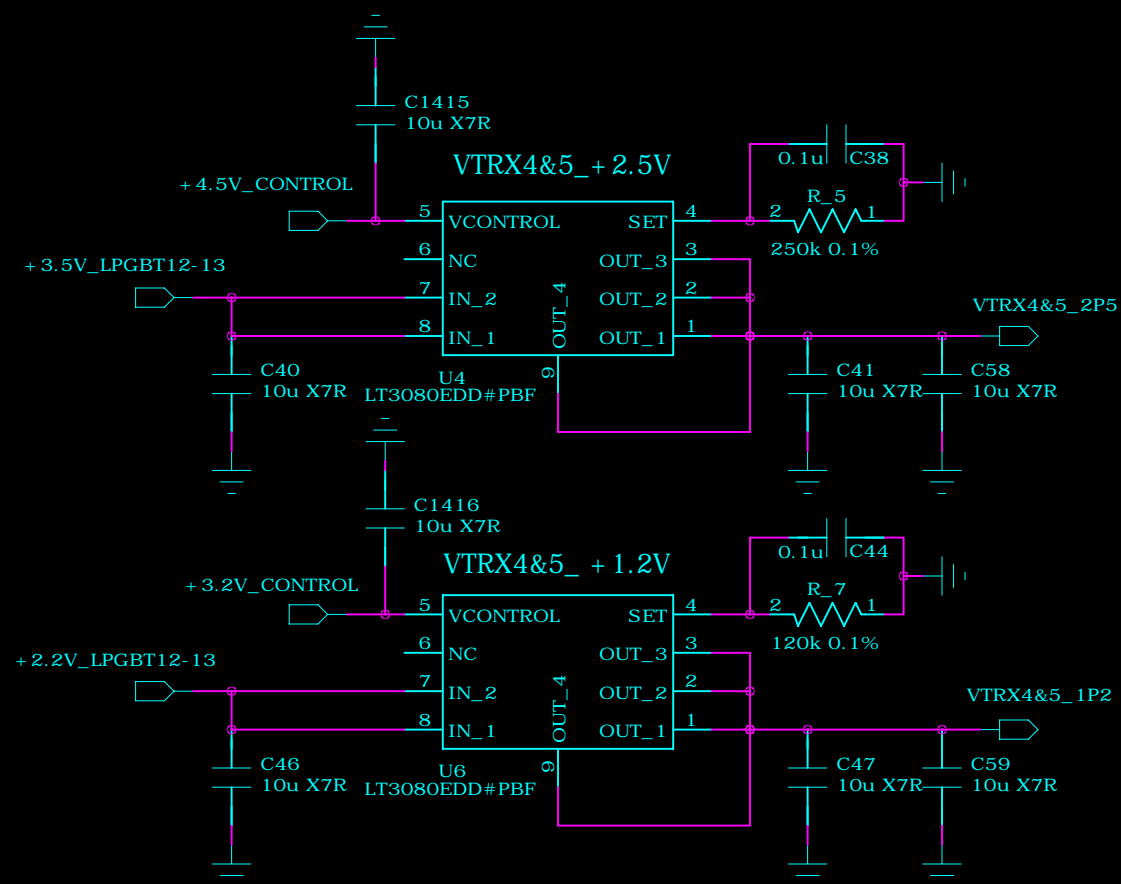
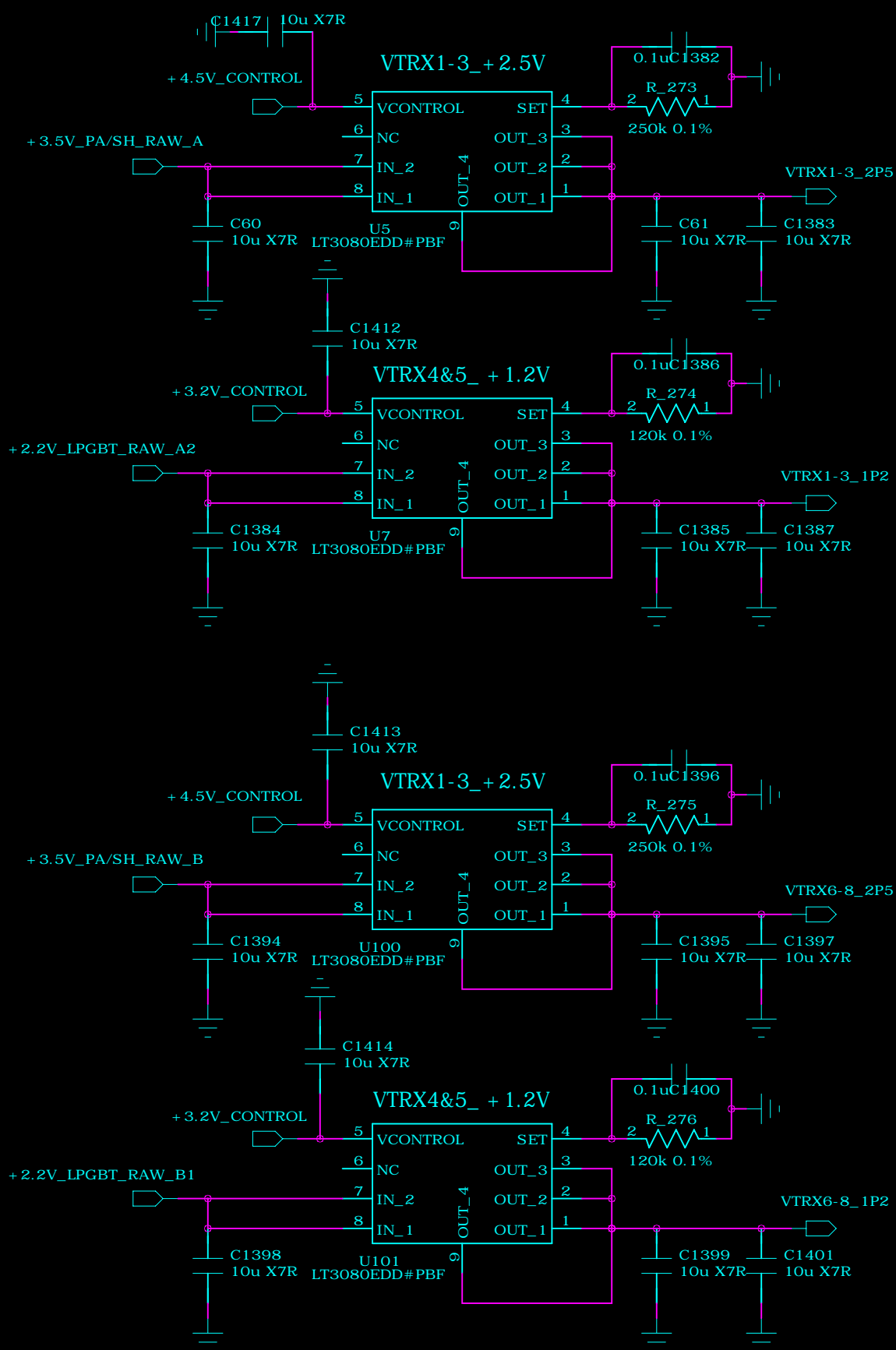
COMPANY: Nevis Laboratories of Columbia University

TITLE: FEB2\_slice board

DRAWN:	jb	DATED:	jan 2020
CHECKED:	jb	DATED:	< Checked Date >
QUALITY CONTROL:	< QC By >	DATED:	< QC Date >
RELEASED:	jb	DATED:	< Release Date >

CODE:	SIZE:	DRAWING NO:	REV:
< Code >	C	v0	0
SCALE: < Scale >			SHEET: 00 32

REVISION RECORD			
LTR	ECO NO.	APPROVED:	DATE:



COMPANY: **Nevis Laboratories of Columbia University**

TITLE: **FEB2\_slice board**

DRAWN:	<b>jb</b>	DATED:	<b>jan 2020</b>
CHECKED:	<b>jb</b>	DATED:	<b>&lt; Checked Date &gt;</b>
QUALITY CONTROL:	<b>&lt; QC By &gt;</b>	DATED:	<b>&lt; QC Date &gt;</b>
RELEASED:	<b>jb</b>	DATED:	<b>&lt; Release Date &gt;</b>

CODE:	SIZE:	DRAWING NO:	REV:
<b>&lt; Code &gt;</b>	<b>C</b>	<b>v0</b>	<b>0</b>
SCALE: <b>&lt; Scale &gt;</b>			SHEET: <b>bt 32</b>





6

5

4

3

2

1

REVISION RECORD			
LTR	ECO NO.	APPROVED:	DATE:

D

D

C

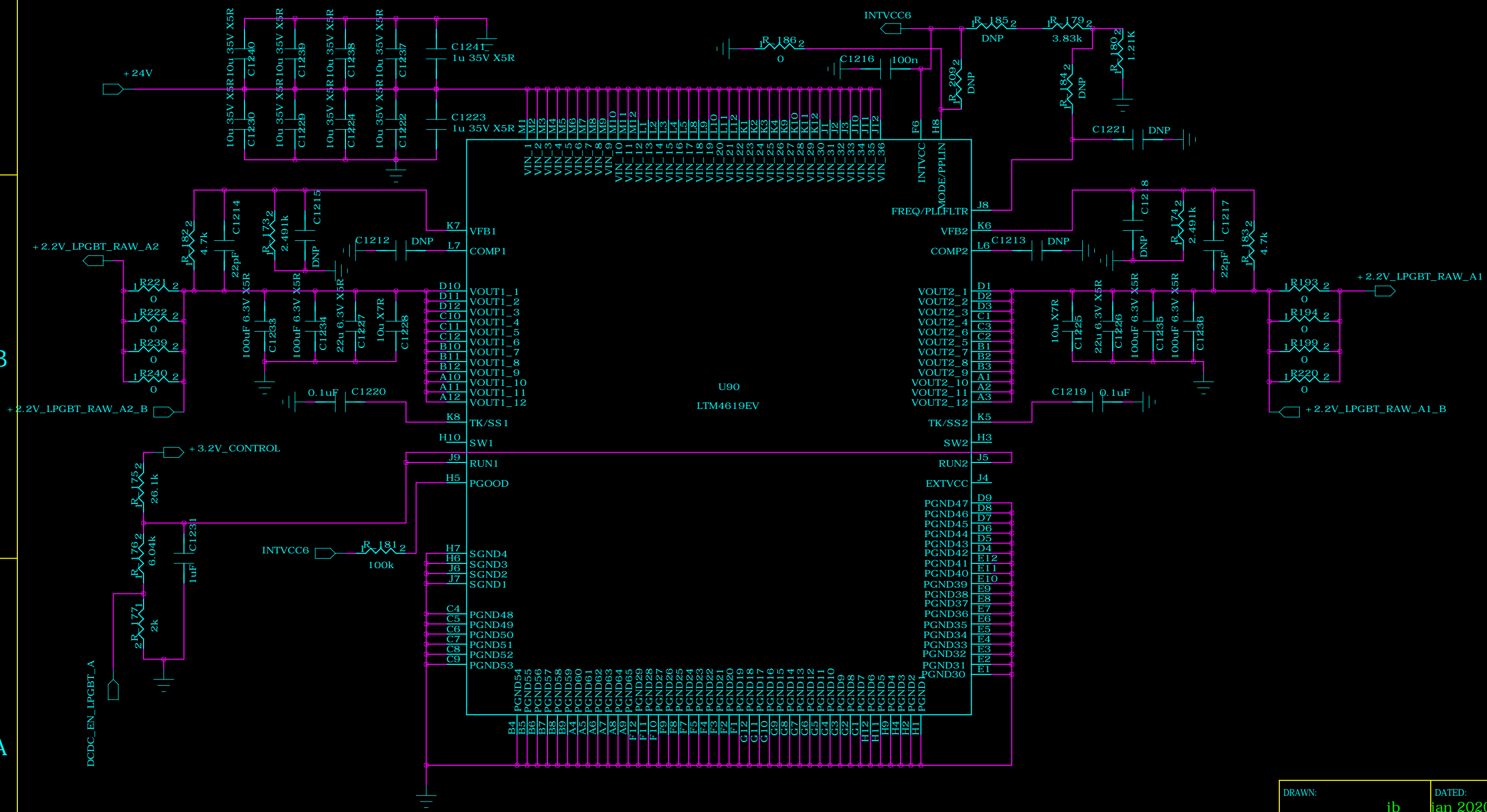
C

B

B

A

A



COMPANY: Nevis Laboratories of Columbia University

TITLE: FEB2\_slice board

DRAWN: <b>jb</b>	DATED: <b>jan 2020</b>	CODE: <b>&lt; Code &gt;</b>	SIZE: <b>C</b>	DRAWING NO: <b>v0</b>	REV: <b>0</b>
CHECKED: <b>jb</b>	DATED: <b>&lt; Checked Date &gt;</b>				
QUALITY CONTROL: <b>&lt; QC By &gt;</b>	DATED: <b>&lt; QC Date &gt;</b>	SCALE: <b>&lt; Scale &gt;</b>			
RELEASED: <b>jb</b>	DATED: <b>&lt; Release Date &gt;</b>	SHEET: <b>of 32</b>			

6

5

4

3

2

1

REVISION RECORD			
LTR	ECO NO.	APPROVED:	DATE:

D

D

C

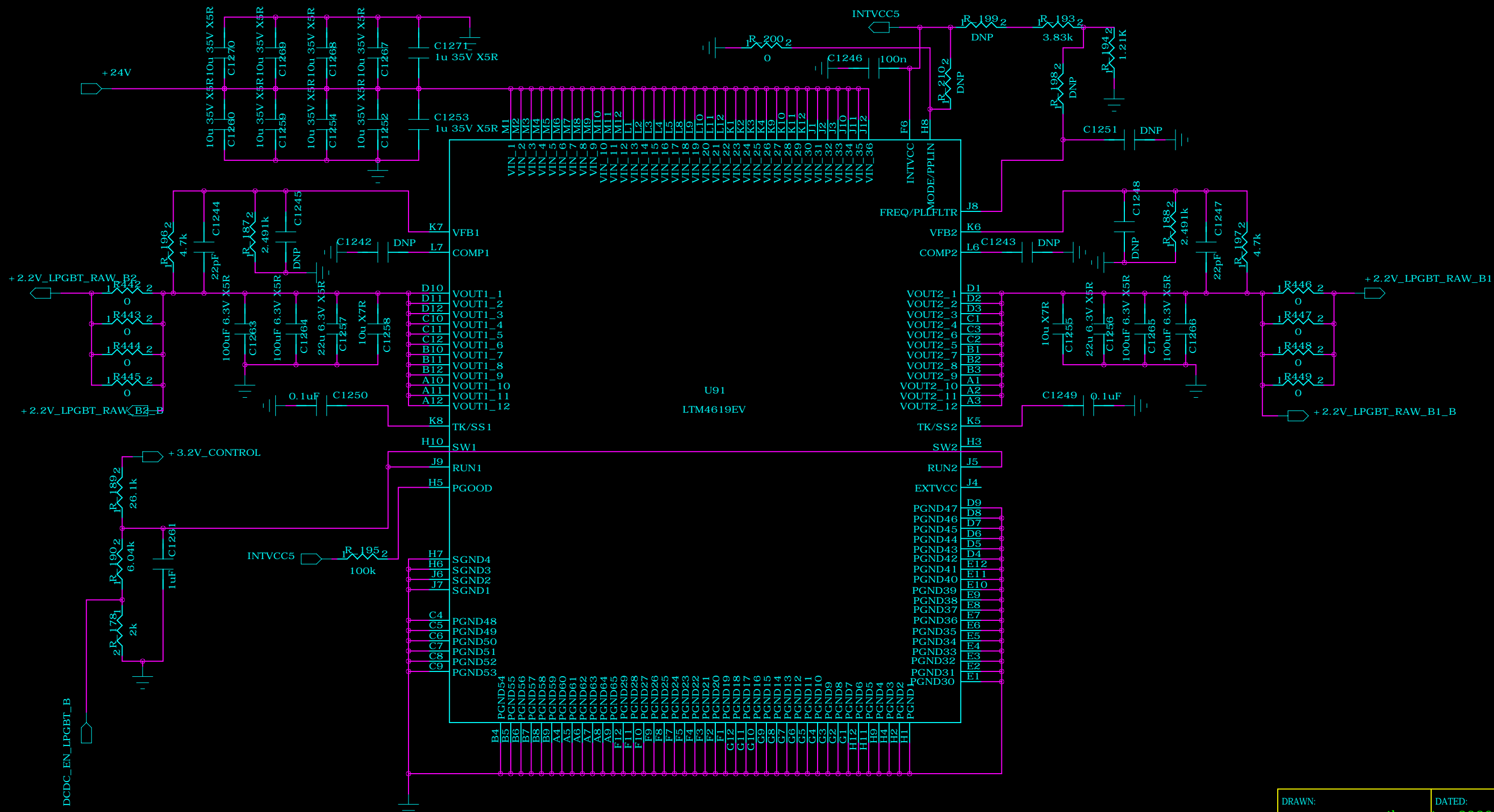
C

B

B

A

A



COMPANY: **Nevis Laboratories of Columbia University**

TITLE: **FEB2\_slice board**

DRAWN: <b>jb</b>	DATED: <b>jan 2020</b>	CODE: <b>&lt; Code &gt;</b>	SIZE: <b>C</b>	DRAWING NO: <b>v0</b>	REV: <b>0</b>
CHECKED: <b>jb</b>	DATED: <b>&lt; Checked Date &gt;</b>				
QUALITY CONTROL: <b>&lt; QC By &gt;</b>	DATED: <b>&lt; QC Date &gt;</b>	SCALE: <b>&lt; Scale &gt;</b>			
RELEASED: <b>jb</b>	DATED: <b>&lt; Release Date &gt;</b>	SHEET: <b>b5 32</b>			





6

5

4

3

2

1

REVISION RECORD			
LTR	ECO NO.	APPROVED:	DATE:

D

D

C

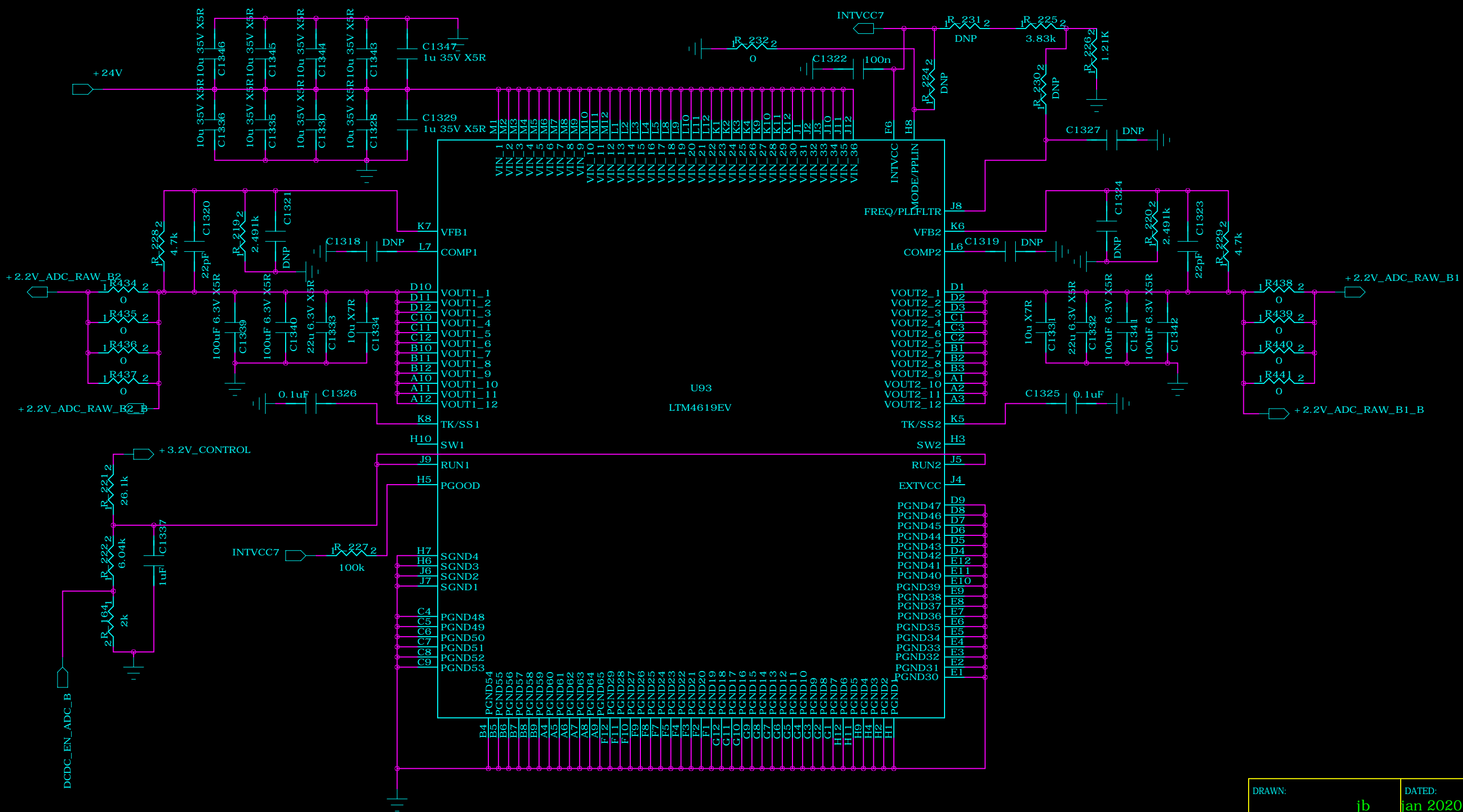
C

B

B

A

A



COMPANY: Nevis Laboratories of Columbia University

TITLE: FEB2\_slice board

DRAWN: <b>jb</b>	DATED: <b>jan 2020</b>	CODE: <b>&lt; Code &gt;</b>	SIZE: <b>C</b>	DRAWING NO: <b>v0</b>	REV: <b>0</b>
CHECKED: <b>jb</b>	DATED: <b>&lt; Checked Date &gt;</b>				
QUALITY CONTROL: <b>&lt; QC By &gt;</b>	DATED: <b>&lt; QC Date &gt;</b>	SCALE: <b>&lt; Scale &gt;</b>		SHEET: <b>17 32</b>	
RELEASED: <b>jb</b>	DATED: <b>&lt; Release Date &gt;</b>				

6

5

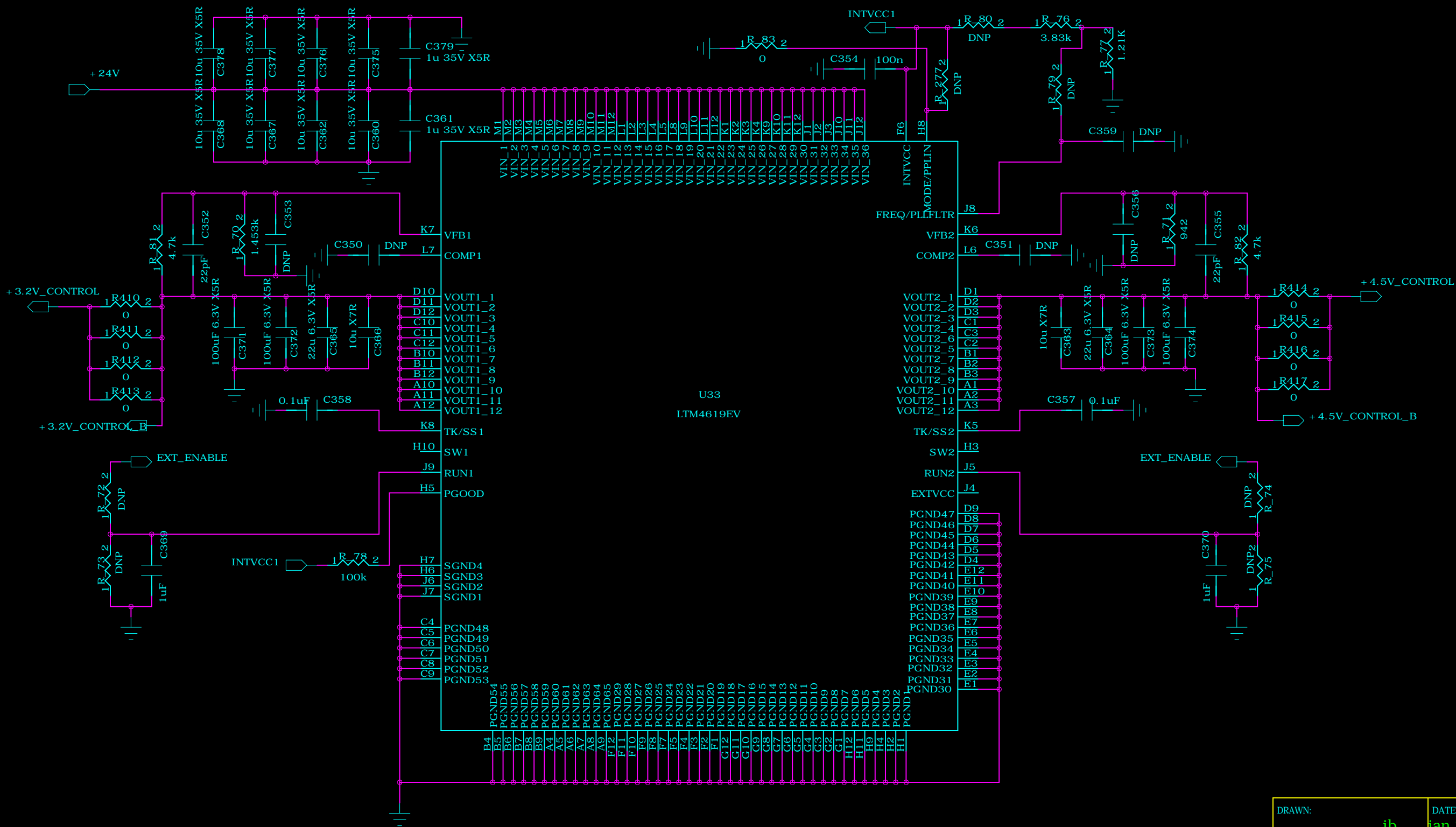
4

3

2

1

REVISION RECORD			
LTR	ECO NO.	APPROVED:	DATE:



COMPANY: Nevis Laboratories of Columbia University

TITLE: FEB2\_slice board

DRAWN: <b>jb</b>	DATED: <b>jan 2020</b>	CODE: <b>&lt; Code &gt;</b>	SIZE: <b>C</b>	DRAWING NO: <b>v0</b>	REV: <b>0</b>
CHECKED: <b>jb</b>	DATED: <b>&lt; Checked Date &gt;</b>	SCALE: <b>&lt; Scale &gt;</b>	SHEET: <b>08</b> / <b>32</b>		
QUALITY CONTROL: <b>&lt; QC By &gt;</b>	DATED: <b>&lt; QC Date &gt;</b>				
RELEASED: <b>jb</b>	DATED: <b>&lt; Release Date &gt;</b>				



6

5

4

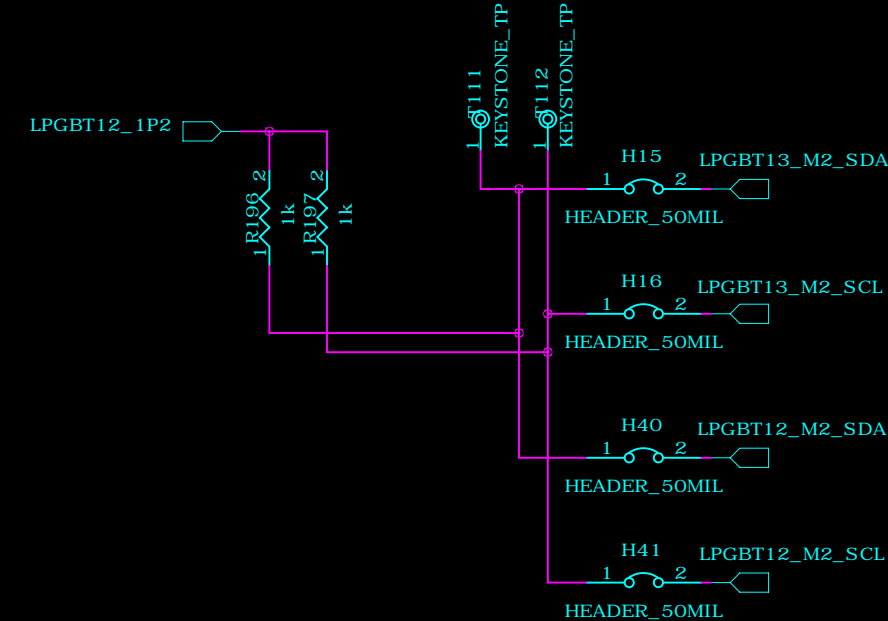
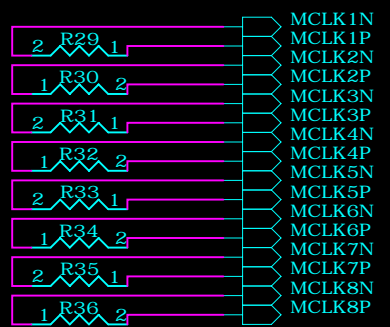
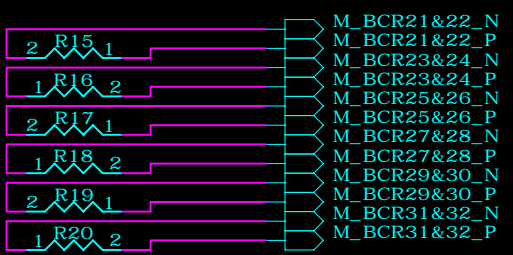
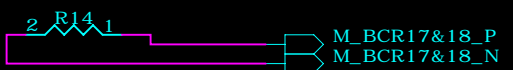
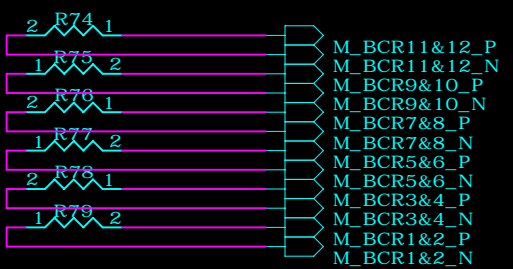
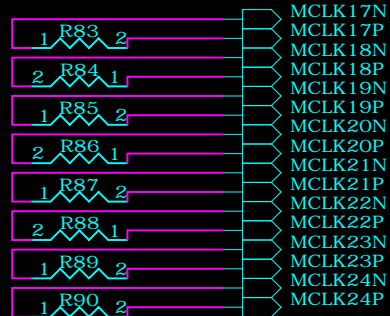
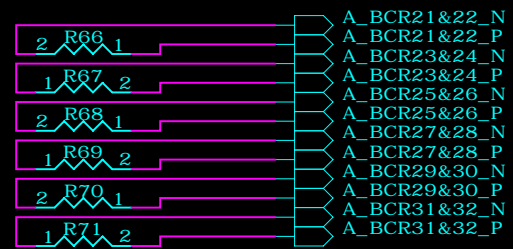
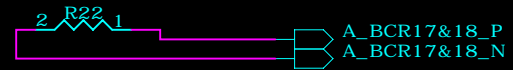
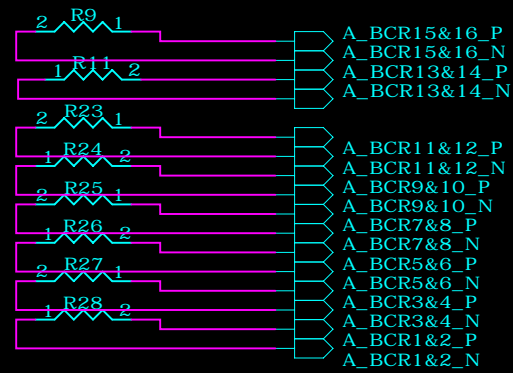
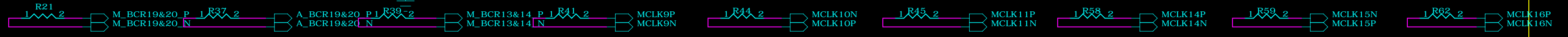
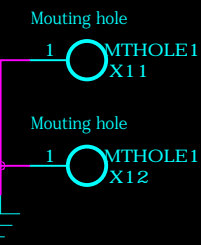
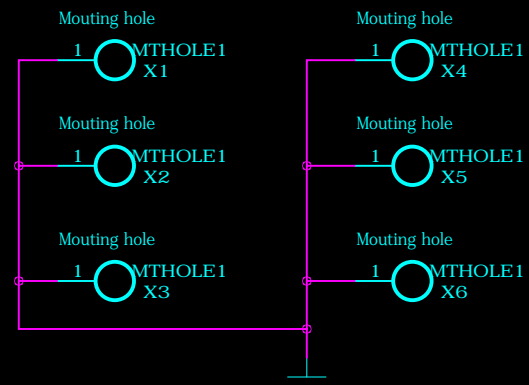
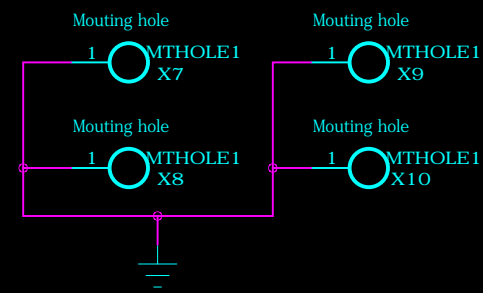
3

2

1

# Mounting holes for the panel

REVISION RECORD			
LTR	ECO NO.	APPROVED:	DATE:



COMPANY: **Nevis Laboratories of Columbia University**

TITLE: **FEB2\_slice board**

DRAWN:	jb	DATED:	jan 2020
CHECKED:	jb	DATED:	< Checked Date >
QUALITY CONTROL:	< QC By >	DATED:	< QC Date >
RELEASED:	jb	DATED:	< Release Date >

CODE:	SIZE:	DRAWING NO:	REV:
< Code >	C	v0	0
SCALE: < Scale >		SHEET: 00 32	

6

5

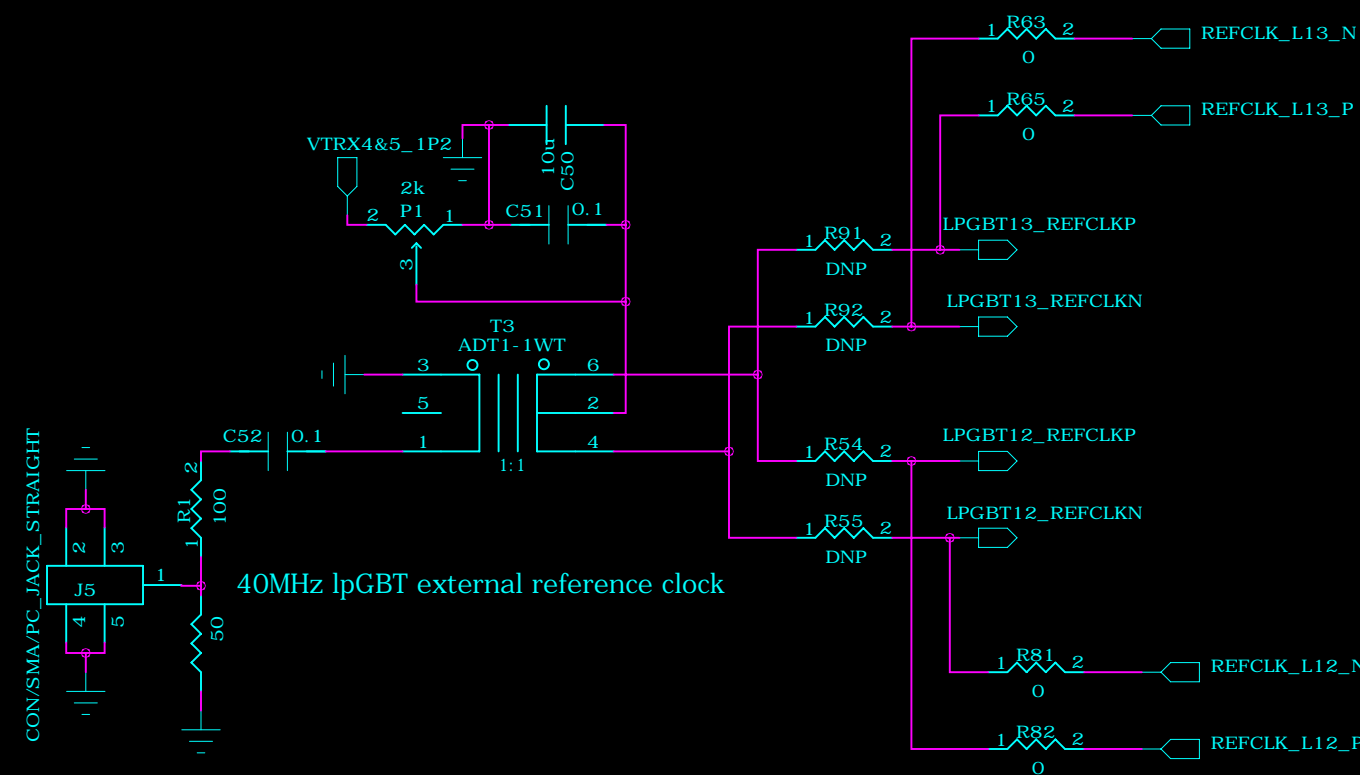
4

3

2

1

REVISION RECORD			
LTR	ECO NO.	APPROVED:	DATE:



COMPANY: **Nevis Laboratories of Columbia University**

TITLE: **FEB2\_slice board**

DRAWN:	jb	DATED:	jan 2020
CHECKED:	jb	DATED:	< Checked Date >
QUALITY CONTROL:	< QC By >	DATED:	< QC Date >
RELEASED:	jb	DATED:	< Release Date >

CODE:	SIZE:	DRAWING NO:	REV:
< Code >	C	v0	0
SCALE: < Scale >			SHEET: 2 of 32

6

5

4

3

2

1

REVISION RECORD			
LTR	ECO NO.	APPROVED:	DATE:

D

D

C

C

B

B

A

A

COMPANY: **Nevis Laboratories of Columbia University**

TITLE: **FEB2\_slice board**

DRAWN:	jb	DATED:	jan 2020
CHECKED:	jb	DATED:	< Checked Date >
QUALITY CONTROL:	< QC By >	DATED:	< QC Date >
RELEASED:	jb	DATED:	< Release Date >

CODE:	SIZE:	DRAWING NO.:	REV.:
< Code >	C	v0	0
SCALE: < Scale >			SHEET: 20 of 32

6

5

4

3

2

1

REVISION RECORD			
LTR	ECO NO.	APPROVED:	DATE:

D

D

C

C

B

B

A

A

COMPANY: **Nevis Laboratories of Columbia University**

TITLE: **FEB2\_slice board**

DRAWN:	jb	DATED:	jan 2020
CHECKED:	jb	DATED:	< Checked Date >
QUALITY CONTROL:	< QC By >	DATED:	< QC Date >
RELEASED:	jb	DATED:	< Release Date >

CODE:	SIZE:	DRAWING NO.:	REV.:
< Code >	C	v0	0
SCALE: < Scale >			SHEET: 20 of 32

6

5

4

3

2

1

REVISION RECORD			
LTR	ECO NO.	APPROVED:	DATE:

D

D

C

C

B

B

A

A

COMPANY: **Nevis Laboratories of Columbia University**

TITLE: **FEB2\_slice board**

DRAWN:	jb	DATED:	jan 2020
CHECKED:	jb	DATED:	< Checked Date >
QUALITY CONTROL:	< QC By >	DATED:	< QC Date >
RELEASED:	jb	DATED:	< Release Date >

CODE:	SIZE:	DRAWING NO.:	REV.:
< Code >	C	v0	0
SCALE: < Scale >			SHEET: 20 of 32



6

5

4

3

2

1

REVISION RECORD			
LTR	ECO NO.	APPROVED:	DATE:

D

D

C

C

B

B

A

A

DRAWN:	jb	DATED:	jan 2020
CHECKED:	jb	DATED:	< Checked Date >
QUALITY CONTROL:	< QC By >	DATED:	< QC Date >
RELEASED:	jb	DATED:	< Release Date >

COMPANY: Nevis Laboratories of Columbia University			
TITLE: FEB2_slice board			
CODE:	SIZE:	DRAWING NO.:	REV.:
< Code >	C	v0	0
SCALE: < Scale >			SHEET: 26 of 32

6

5

4

3

2

1

REVISION RECORD			
LTR	ECO NO.	APPROVED:	DATE:

D

D

C

C

B

B

A

A

COMPANY: **Nevis Laboratories of Columbia University**

TITLE: **FEB2\_slice board**

DRAWN:	jb	DATED:	jan 2020
CHECKED:	jb	DATED:	< Checked Date >
QUALITY CONTROL:	< QC By >	DATED:	< QC Date >
RELEASED:	jb	DATED:	< Release Date >

CODE:	SIZE:	DRAWING NO.:	REV.:
< Code >	C	v0	0
SCALE: < Scale >			SHEET: 20 of 32

6

5

4

3

2

1

REVISION RECORD			
LTR	ECO NO.	APPROVED:	DATE:

D

D

C

C

B

B

A

A

COMPANY: Nevis Laboratories of Columbia University

TITLE: FEB2\_slice board

DRAWN:	jb	DATED:	jan 2020
CHECKED:	jb	DATED:	< Checked Date >
QUALITY CONTROL:	< QC By >	DATED:	< QC Date >
RELEASED:	jb	DATED:	< Release Date >

CODE:	SIZE:	DRAWING NO.:	REV.:
< Code >	C	v0	0
SCALE: < Scale >			SHEET: 20 of 32

6

5

4

3

2

1

REVISION RECORD			
LTR	ECO NO.	APPROVED:	DATE:

D

D

C

C

B

B

A

A

DRAWN:	jb	DATED:	jan 2020
CHECKED:	jb	DATED:	< Checked Date >
QUALITY CONTROL:	< QC By >	DATED:	< QC Date >
RELEASED:	jb	DATED:	< Release Date >

COMPANY: Nevis Laboratories of Columbia University			
TITLE: FEB2_slice board			
CODE:	SIZE:	DRAWING NO.:	REV.:
< Code >	C	v0	0
SCALE: < Scale >			SHEET: 26 of 32

6

5

4

3

2

1

REVISION RECORD			
LTR	ECO NO.	APPROVED:	DATE:

D

D

C

C

B

B

A

A

DRAWN:	jb	DATED:	jan 2020
CHECKED:	jb	DATED:	< Checked Date >
QUALITY CONTROL:	< QC By >	DATED:	< QC Date >
RELEASED:	jb	DATED:	< Release Date >

COMPANY: Nevis Laboratories of Columbia University			
TITLE: FEB2_slice board			
CODE:	SIZE:	DRAWING NO.:	REV.:
< Code >	C	v0	0
SCALE: < Scale >			SHEET: 20 of 32

6

5

4

3

2

1

REVISION RECORD			
LTR	ECO NO.	APPROVED:	DATE:

D

D

C

C

B

B

A

A

DRAWN:	jb	DATED:	jan 2020
CHECKED:	jb	DATED:	< Checked Date >
QUALITY CONTROL:	< QC By >	DATED:	< QC Date >
RELEASED:	jb	DATED:	< Release Date >

COMPANY: Nevis Laboratories of Columbia University			
TITLE: FEB2_slice board			
CODE:	SIZE:	DRAWING NO.:	REV.:
< Code >	C	v0	0
SCALE: < Scale >			SHEET: 30 of 32

6

5

4

3

2

1

REVISION RECORD			
LTR	ECO NO.	APPROVED:	DATE:

D

D

C

C

B

B

A

A

COMPANY: **Nevis Laboratories of Columbia University**

TITLE: **FEB2\_slice board**

DRAWN:	jb	DATED:	jan 2020
CHECKED:	jb	DATED:	< Checked Date >
QUALITY CONTROL:	< QC By >	DATED:	< QC Date >
RELEASED:	jb	DATED:	< Release Date >

CODE:	SIZE:	DRAWING NO.:	REV.:
< Code >	C	v0	0
SCALE: < Scale >			SHEET: 30 of 32

6

5

4

3

2

1

REVISION RECORD			
LTR	ECO NO.	APPROVED:	DATE:

D

D

C

C

B

B

A

A

DRAWN:	jb	DATED:	jan 2020
CHECKED:	jb	DATED:	< Checked Date >
QUALITY CONTROL:	< QC By >	DATED:	< QC Date >
RELEASED:	jb	DATED:	< Release Date >

COMPANY: Nevis Laboratories of Columbia University			
TITLE: FEB2_slice board			
CODE:	SIZE:	DRAWING NO.:	REV.:
< Code >	C	v0	0
SCALE: < Scale >			SHEET: 30 of 32