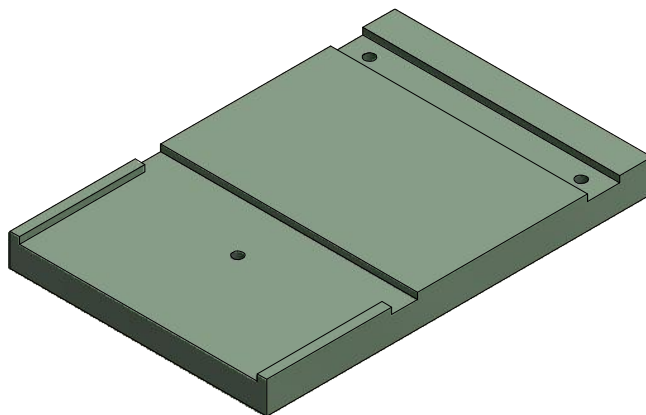
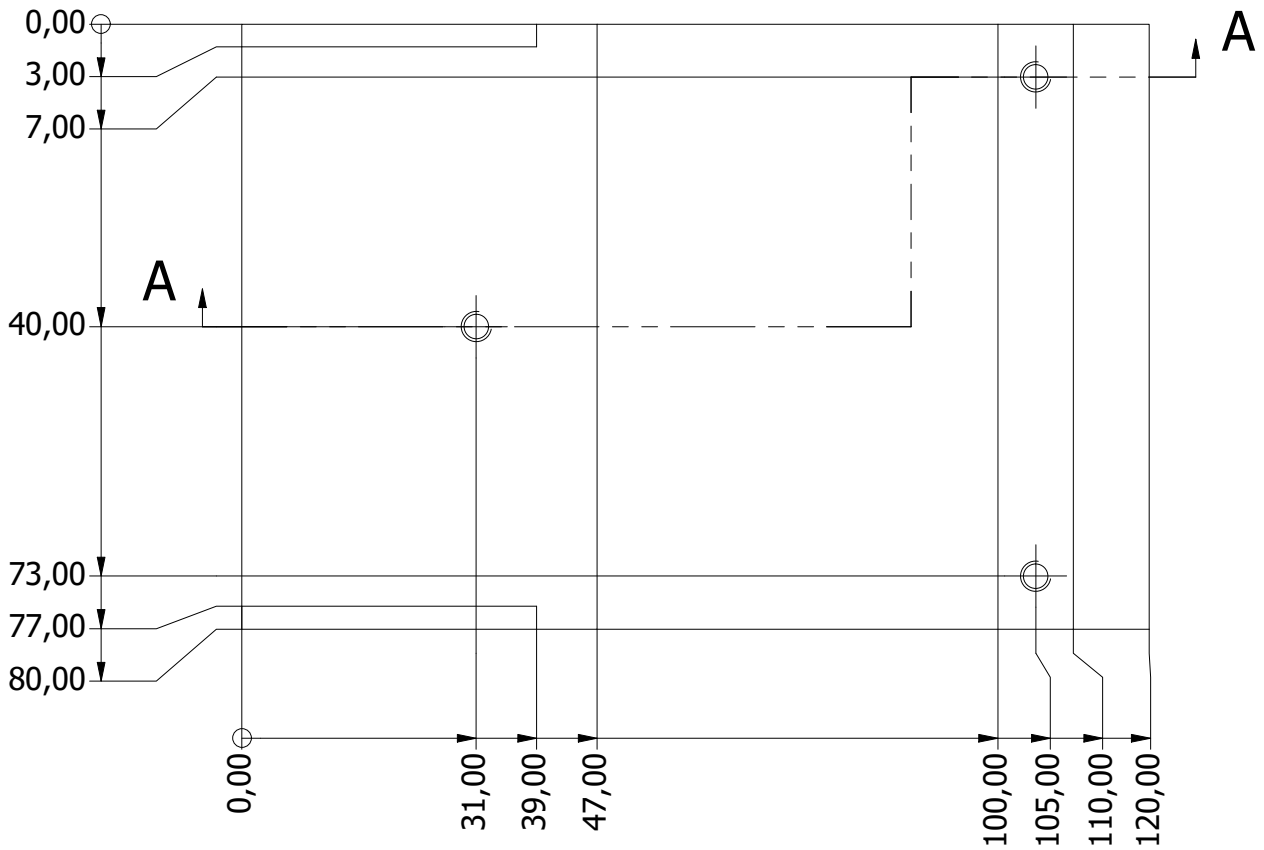
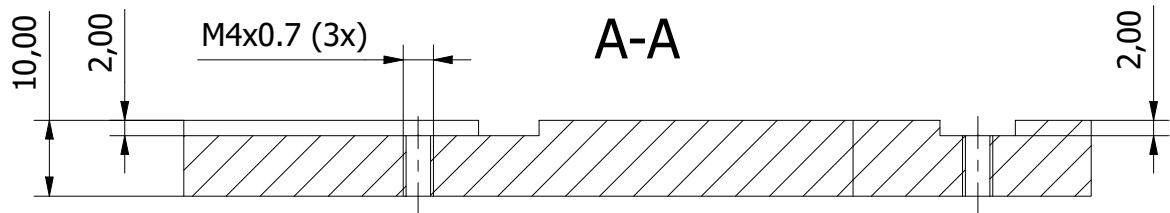
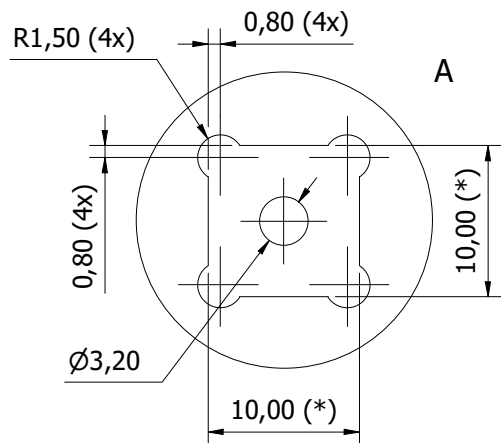
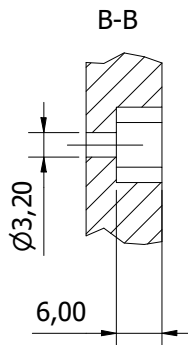
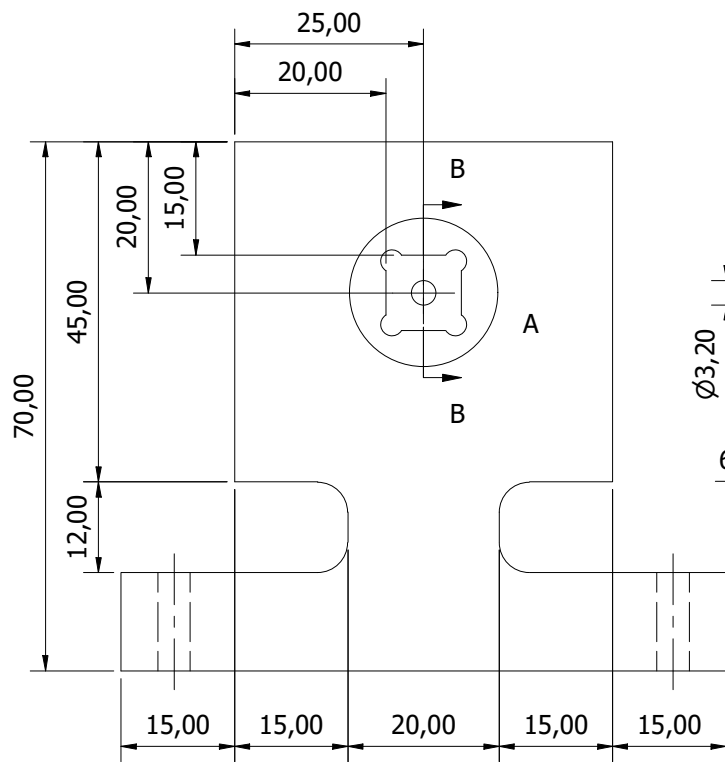


PARTS LIST			
ITEM	QTY	PART NUMBER	MATERIAL
1	1	Piastra_orizzontale	PVC
2	1	Piastra_verticale	PVC
3	1	Protezione	PVC
4	3	DIN 433 - 4,3	Stainless Steel
5	2	DIN 912 - M4 x 20	Stainless Steel
6	1	DIN 912 - M4 x 16	Stainless Steel

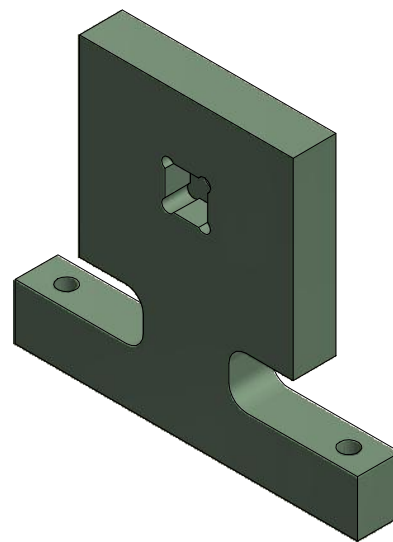
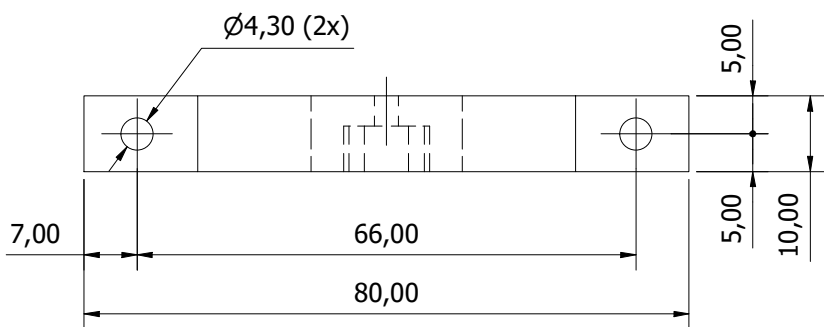
<b>CTA-SCT</b>		<i>Material:</i>		<i>Mass: 0,22 kg</i>	
<i>Title:</i>		<i>Size</i> <b>A4</b>		<i>Sheet</i> 1 / 1	<i>Date:</i> 09/09/2020
<i>Part name:</i> Assemblaggio		<i>Project:</i> M.Mongelli		<i>Drawing:</i> M.Mongelli	
<i>Check:</i>					
<b>ISTITUTO NAZIONALE DI FISICA NUCLEARE</b> Sezione di Bari Via Orabona, 4 - 70126 Bari - Italy		General tolerances unless otherwise stated according to ISO 2768-fH-E	Geometrical tolerances unless otherwise stated according to ISO 8015-E	Roughness unless otherwise stated according to ISO 1302	



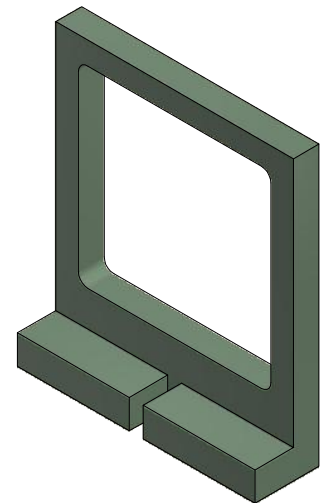
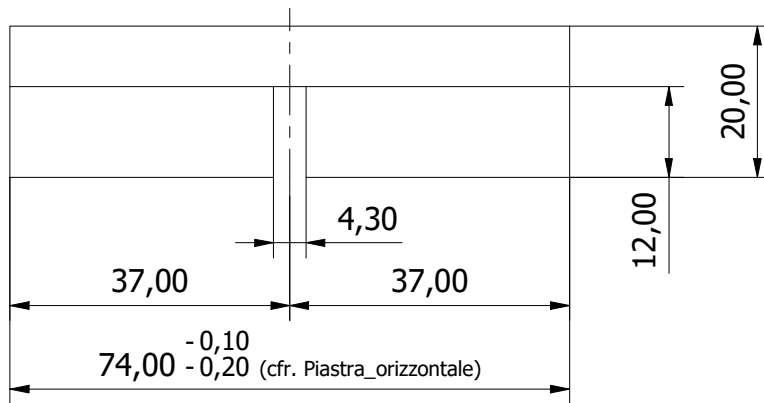
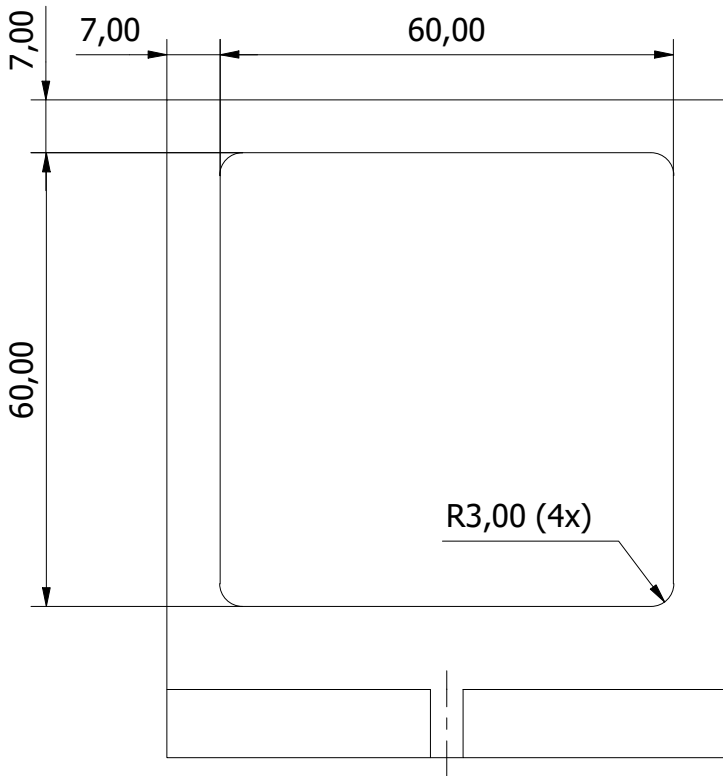
<b>CTA-SCT</b>		<i>Material:</i> PVC		<i>Mass:</i> 0,12 kg	
<i>Title:</i>		<i>Size</i> A4		<i>Sheet</i> 1 / 1	<i>Date:</i> 04/09/2020
<i>Part name:</i> Piastra_orizzontale					
<i>Project:</i> M.Mongelli		<i>Drawing:</i> M.Mongelli		<i>Check:</i>	
<b>ISTITUTO NAZIONALE DI FISICA NUCLEARE</b> Sezione di Bari Via Orabona, 4 - 70126 Bari - Italy		General tolerances unless otherwise stated according to ISO 2768-fH-E	Geometrical tolerances unless otherwise stated according to ISO 8015-E	Roughness unless otherwise stated according to ISO 1302	



(\*) Cfr. ....



<b>CTA-SCT</b>		Material: PVC		Mass: 0,05 kg	
Title:		Size A4		Sheet	Date:
Part name: Piastra_verticale				1 / 1	04/09/2020
Project: M.Mongelli	Drawing: M.Mongelli		Check:		
<b>ISTITUTO NAZIONALE DI FISICA NUCLEARE</b> Sezione di Bari Via Orabona, 4 - 70126 Bari - Italy		General tolerances unless otherwise stated according to ISO 2768-fH-E	Geometrical tolerances unless otherwise stated according to ISO 8015-E	Roughness unless otherwise stated according to ISO 1302	



<b>CTA-SCT</b>		Material: PVC		Mass: 0,04 kg	
Title:		Size A4		Sheet	Date:
Part name: Protezione				1 / 1	04/09/2020
Project: M.Mongelli		Drawing: M.Mongelli		Check:	
<b>ISTITUTO NAZIONALE DI FISICA NUCLEARE</b> Sezione di Bari Via Orabona, 4 - 70126 Bari - Italy		General tolerances unless otherwise stated according to ISO 2768-fH-E	Geometrical tolerances unless otherwise stated according to ISO 8015-E	Roughness unless otherwise stated according to ISO 1302	