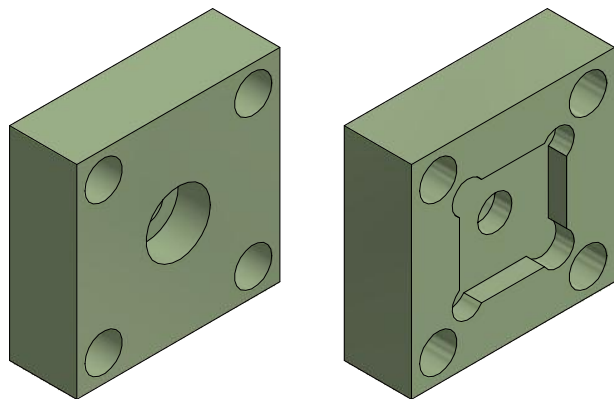


Quantità = 2



CTA-STC		Material: PVC		Mass: 0,00 kg	
Title:		Size		Sheet	Date:
Part name: Componente_di_testa_ridotto		A4		1 / 1	14/06/2020
Project:		Drawing:		Check:	
ISTITUTO NAZIONALE DI FISICA NUCLEARE Sezione di Bari Via Orabona, 4 - 70126 Bari - Italy		General tolerances unless otherwise stated according to ISO 2768-fH-E	Geometrical tolerances unless otherwise stated according to ISO 8015-E	Roughness unless otherwise stated according to ISO 1302	